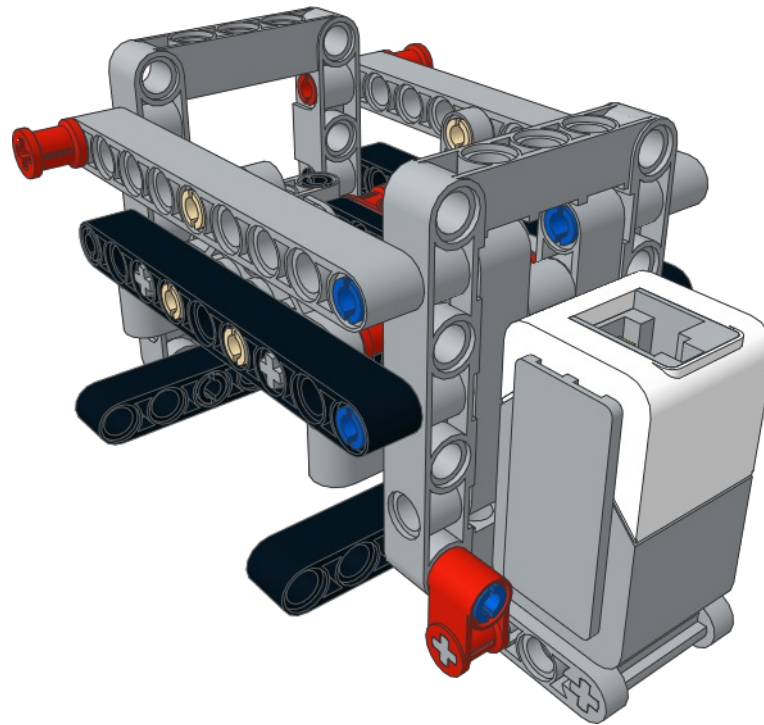


LEGO® Scann3r (v1.1 - 27th January 2016)



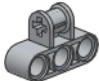
By Jerry Nicholls

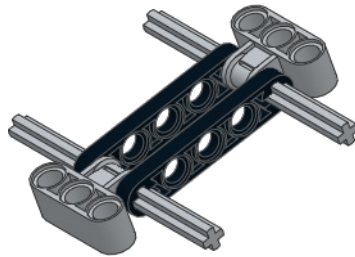
Website: <http://jander.me.uk/LEGO/scann3r.html>





This work is licensed under the Creative Commons Attribution-ShareAlike 4.0 International License. To view a copy of this license, visit <http://creativecommons.org/licenses/by-sa/4.0/>.

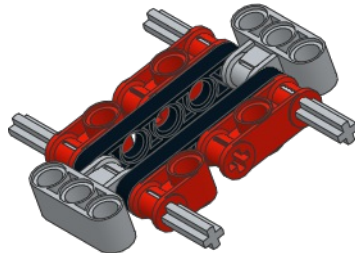
1

2x  7
 2x  2x 


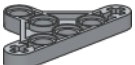


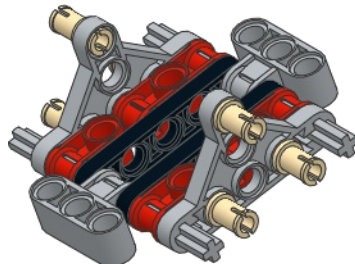
2

2x  2x 



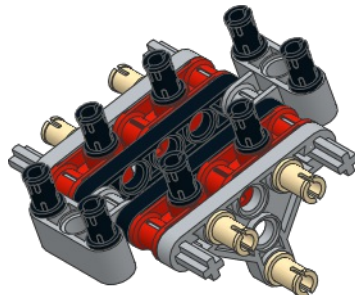
3

6x  6x
 2x  2x





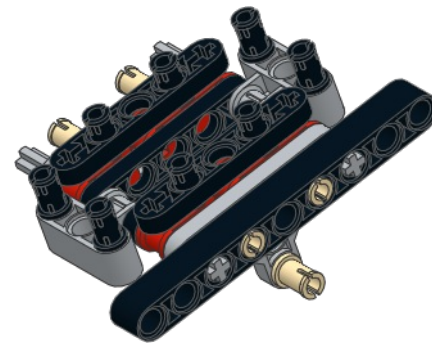
4

8x 

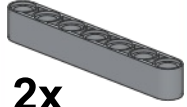


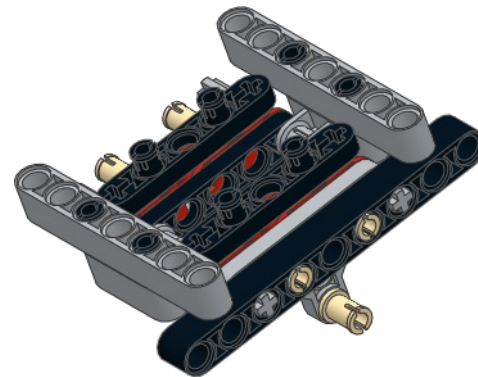
5

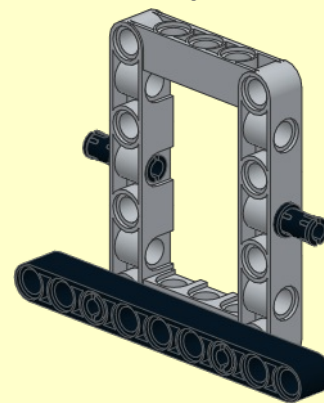
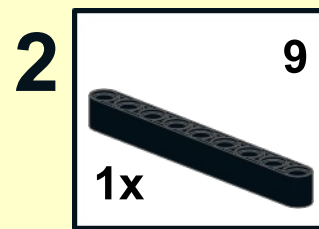
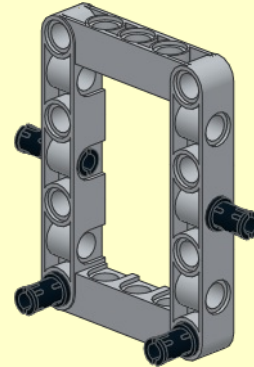
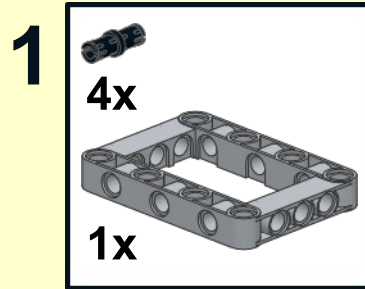
2x  2x 9
 1x 



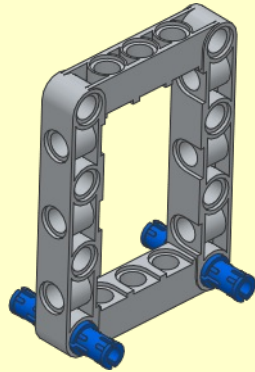
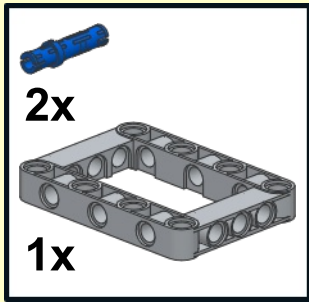
6

2x  2x 7

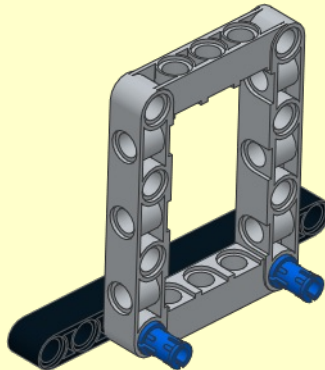
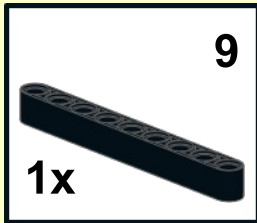




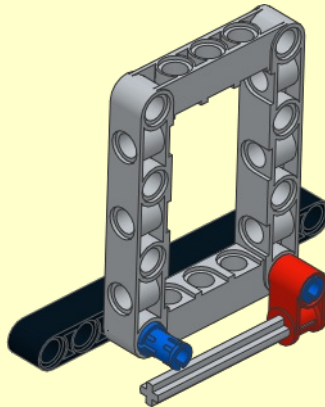
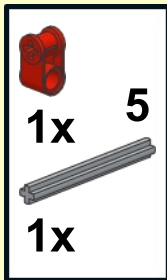
1



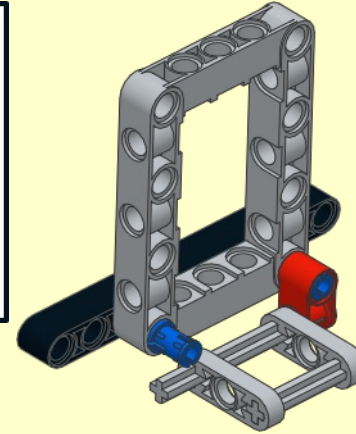
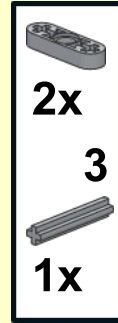
2



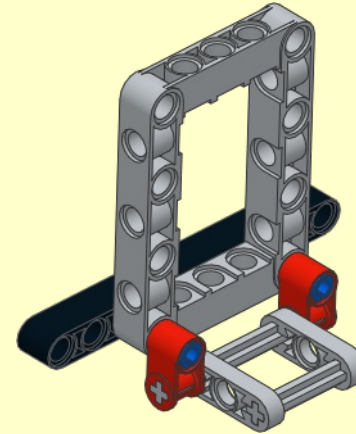
3



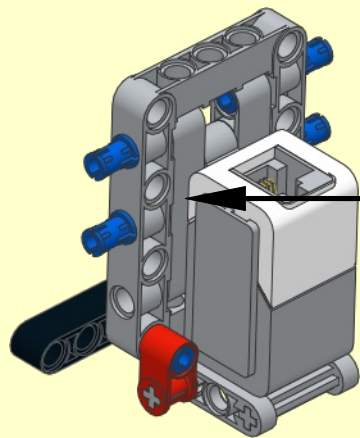
4

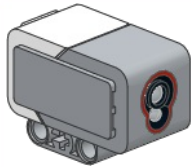



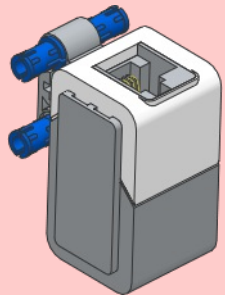
5

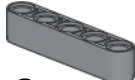


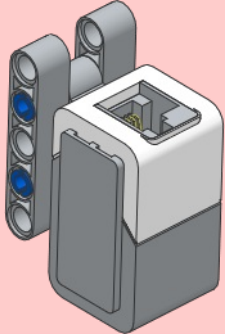
6  4x

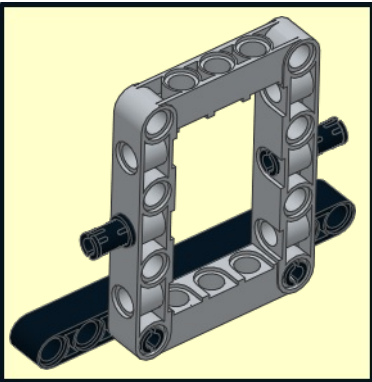
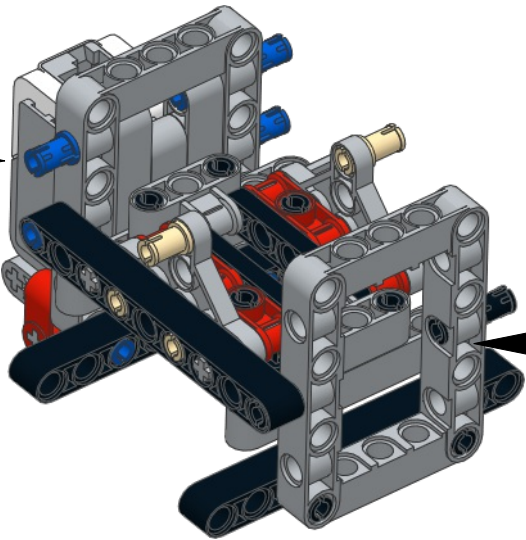
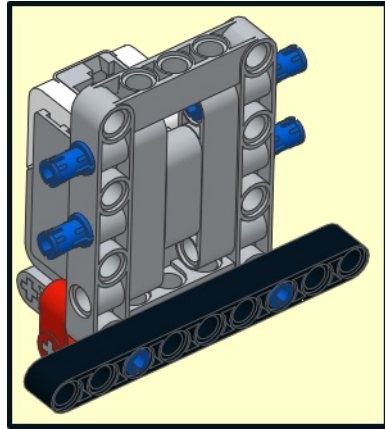


1  1x  2x

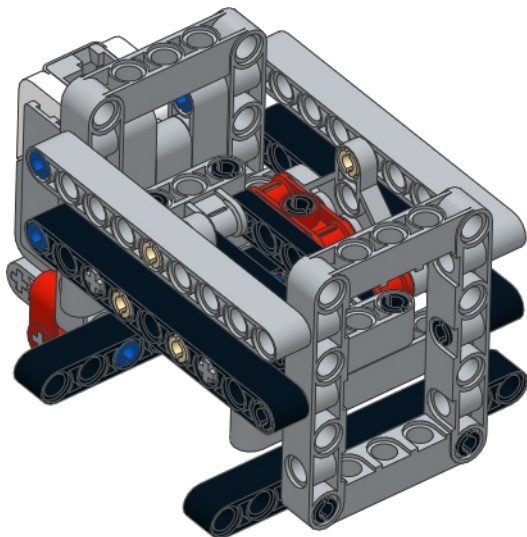
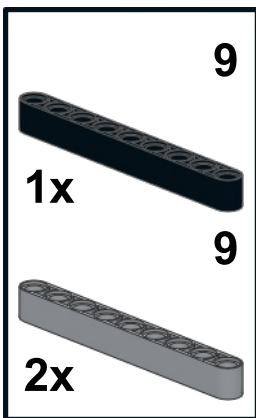


2  2x 5





8



9

